

Starlink™ Actuated V2 DC Conversion

Eliminate the Starlink™ Actuated V2 router and conserve power with the DishyNOAC by using native DC power, avoiding inverter losses.

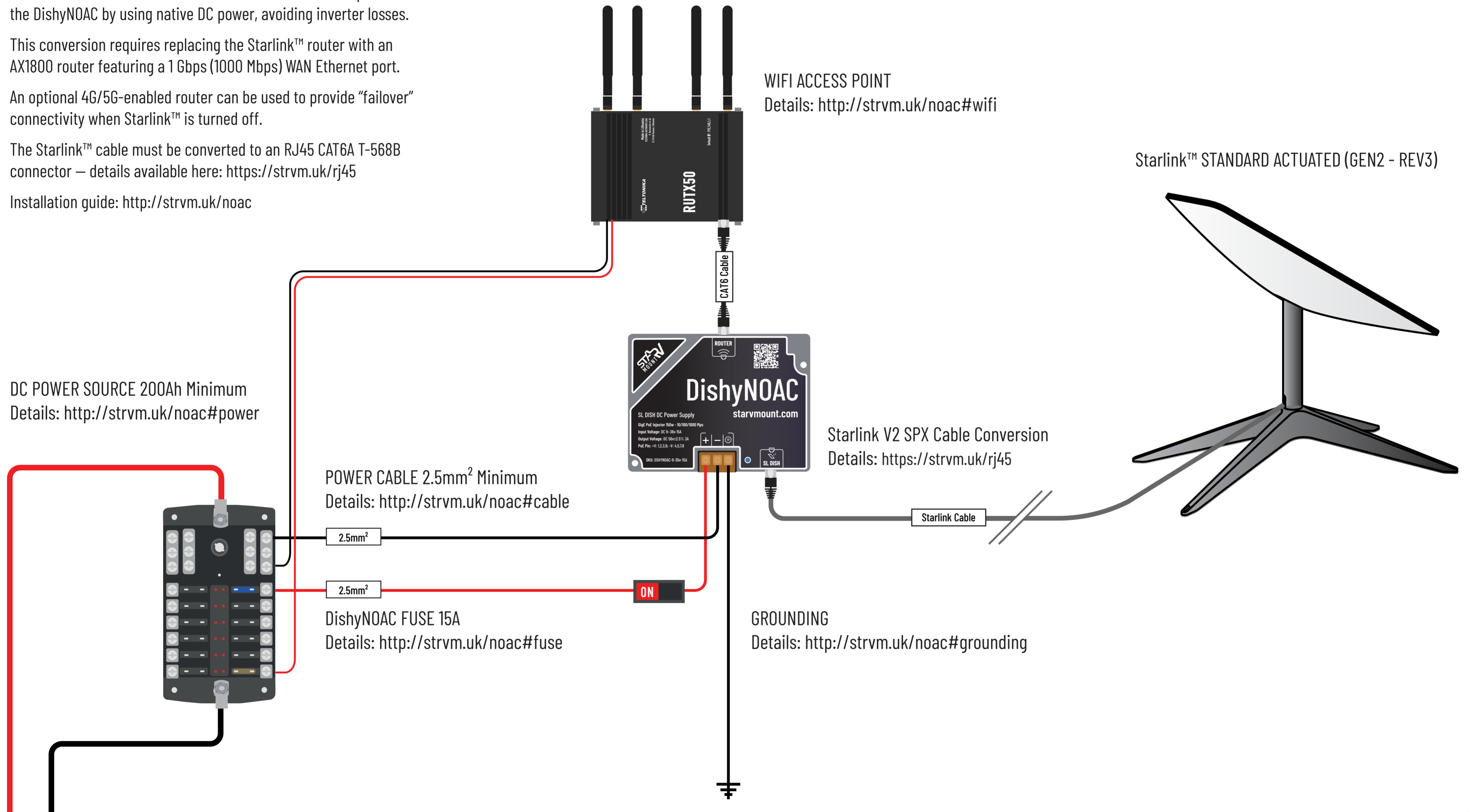
This conversion requires replacing the Starlink™ router with an AX1800 router featuring a 1 Gbps (1000 Mbps) WAN Ethernet port.

An optional 4G/5G-enabled router can be used to provide “failover” connectivity when Starlink™ is turned off.

The Starlink™ cable must be converted to an RJ45 CAT6A T-568B connector – details available here: <https://strvm.uk/rj45>

Installation guide: <http://strvm.uk/noac>

DC POWER SOURCE 200Ah Minimum
Details: <http://strvm.uk/noac#power>



CAUTION

Schematic for guidance only. Please verify against manufacturer manuals.

When fitting, undertake your own risk assessment regarding placement and attachment.

Always be considerate of others and your own safety.

Starvmount™ products are intended for installation by telecommunications professionals or other similarly technically experienced users.

Starvmount™ does not accept any liability for installation work